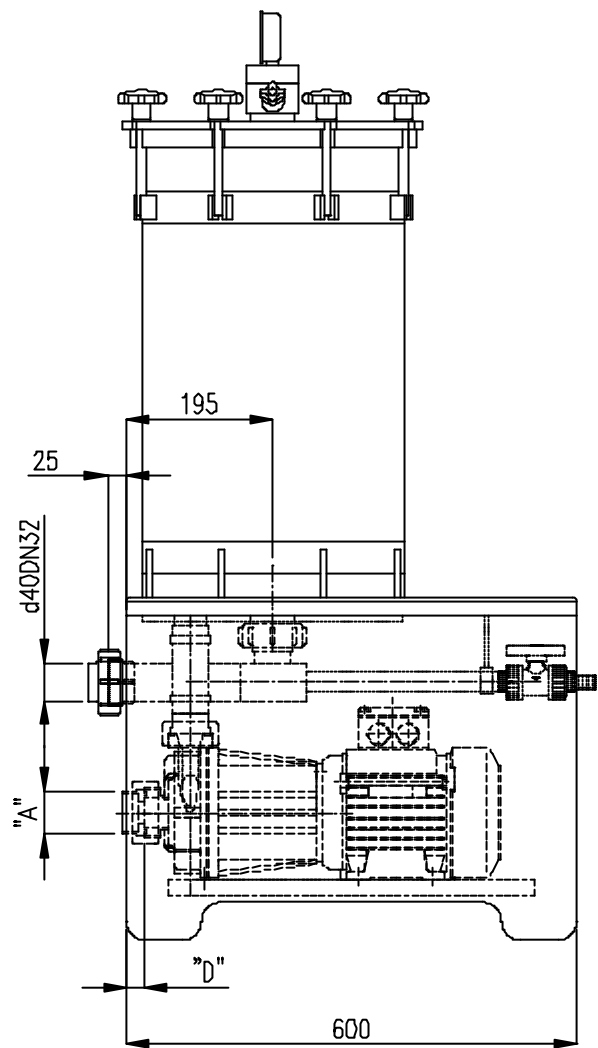
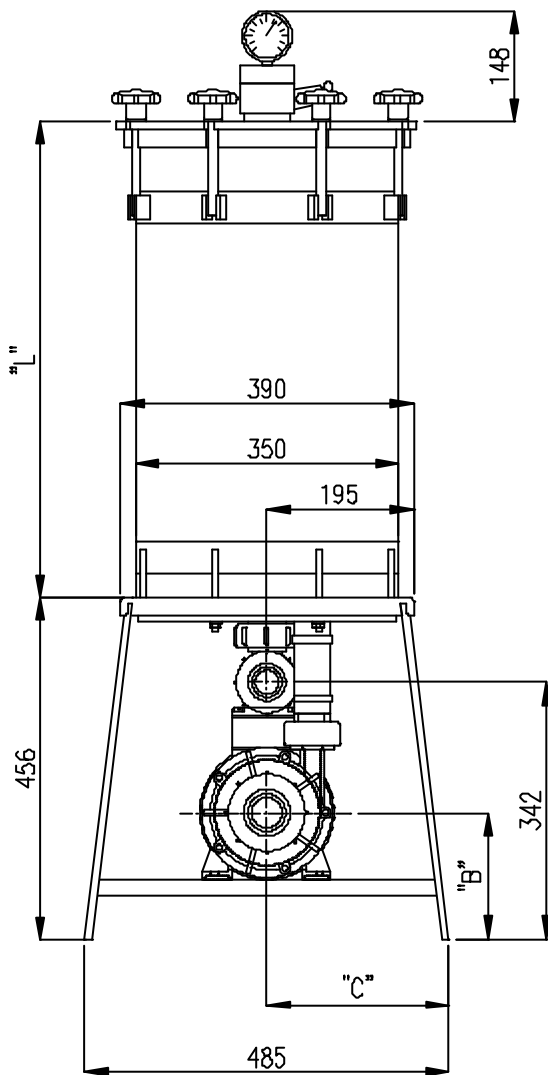


THIS INFORMATION IS CONFIDENTIAL
 AND IS NOT TO BE DISCLOSED WITHOUT WRITTEN AUTHORIZATION
 FROM HENDOR POMPEN B.V. BLADEL



Pump type	Motor kW	Mat.	Dimensions in inches			
			A	B	C	D
M110	1.10	PP	d40/DN32	158	231	29
M150	1.50		d50/DN40	168	243	35
M220	2.20		d63/DN50	174	249	39
M300	3.00		d63/DN50	178	249	39
M400	4.00		d63/DN50	190	249	39

Filter type	Dim. in mm L
151	379
152	633

material	PP	drw.	H. Goorman	scale	1 : 10	www.hendor.com				
mat. size	All sizes in mm	date	27-05-2003		Man	3.2	Overall tolerance ± 2mm Angle tolerances ∠ ± 1°			
		chk.		FILTERPUMPS M110...M400-151/2A-K/P-PP						
H3	24-11-2003	1						drw. no.	000-001-724	size A4
Chk.	Date	No.						File no.	0-001724	