

7.500 - 30.000 l/h

Typical applications

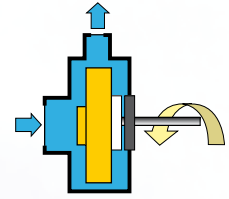
- Ideal for abrasive solutions or those that contain ferrous particles
- Suitable for most plating solutions
- Not suitable for electroless nickel

Features

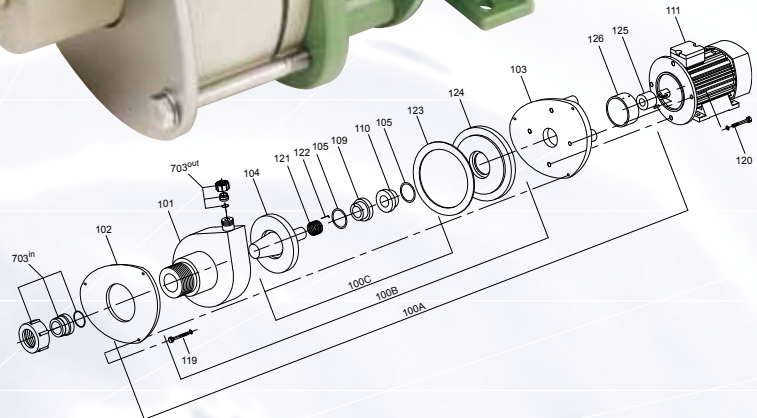
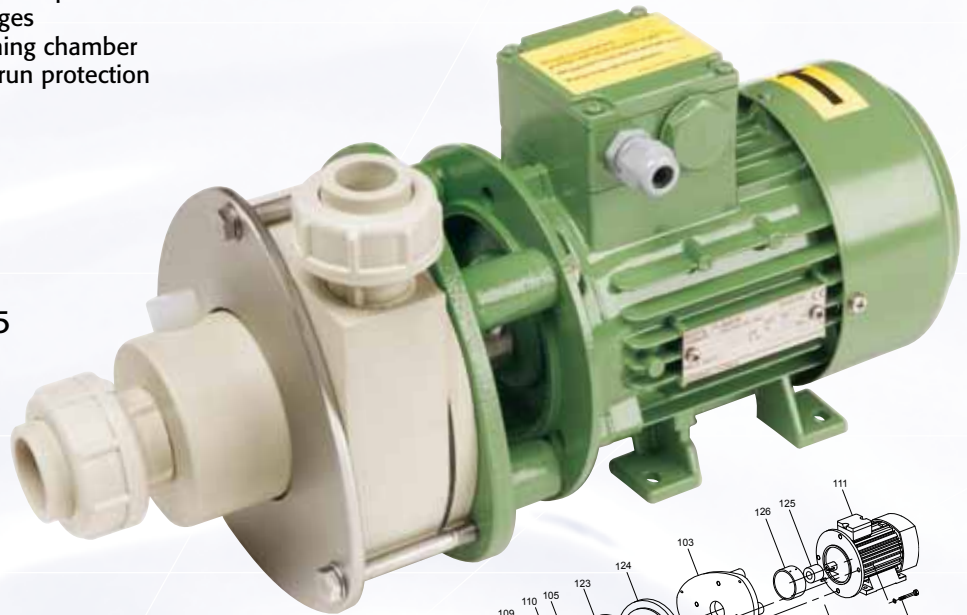
- Mechanical seal material depends on application
- Traditionally cost effective to purchase and maintain
- Standard with GF union connetions with a choice of sockets, available in PP, PVDF and CPVC
- Max. temp. PP 80°C / 176°F
- Motor with two component Polyurethane coating for excellent chemical resistance

Options

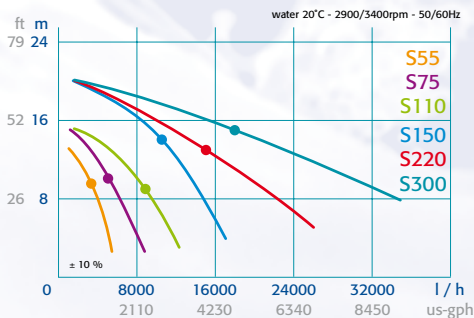
- Hose adapters
- Flanges
- Priming chamber
- Dry run protection



S55



Mechanical seal pumps S55 .. S300 - PP



Type	Motor kW HP	Max SG at BEP	Net weight kg	In *) d/DN	Out *) d/DN
S55	0,55 3/4	1,1	13	32/25	25/20
S75	0,75 1	1,3	15	32/25	25/20
S110	1,1 1-1/2	1,5	18	40/32	32/25
S150	1,5 2	1,3	22	50/40	40/32
S220	2,2 3	1,3	25	63/50	50/40
S300	3 4	1,3	29	63/50	50/40

Dimensions (mm)		
L	W	H
427	132	217
427	150	226
457	150	239
536	165	260
548	165	263
548	165	263

*) d/DN=OD/ID metric size pipe

Best Efficiency Point (BEP)

