



D110-018-300
immersion length 300mm

2.000 - 10.000 l/h

Typical applications

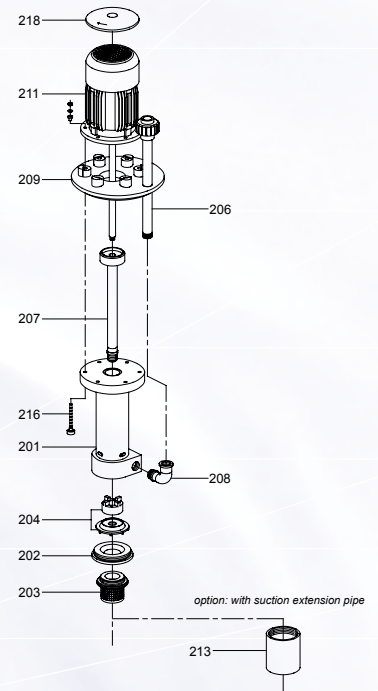
- Plating - Rinsing - Filtration
- Waste treatment

Features

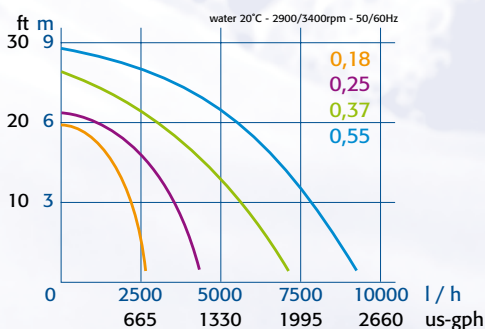
- Immersion length 300mm
- Environmentally safe in-tank installation
- Free turning shaft - no seal
- Self priming - can run dry
- Full length motor shaft
- Outlet sockets available in PP and CPVC

Options

- Suction extension pipe
- Hose connection



Vertical pumps series D110 - PP



Type	kW	HP	Out(d/DN)
D110-018-300-PP	0,18*	1/4*	25/20
D110-025-300-PP	0,25*	1/3*	25/20
D110-037-300-PP	0,37*	1/2*	25/20
D110-055-300-PP	0,55	3/4	32/25

* For 3-phase motors <220V the indicated motor will be one size bigger.

